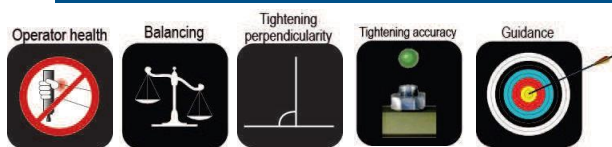


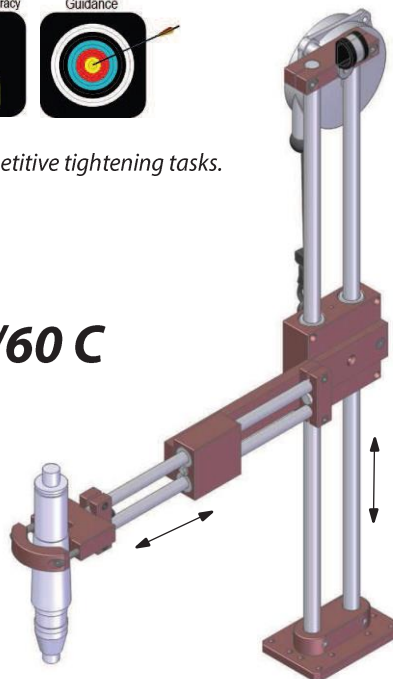
# total Travelling arms

## BA...C Series



BA...C Series ideal for tightening operations on large surface or with repetitive tightening tasks.

### BA 25/60 C

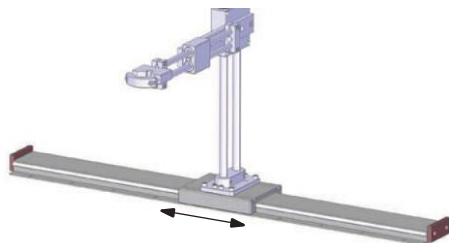


Model	Max torque (mm)	Tool Ø (mm)	Stroke (mm)	Load max (kg)	Code
BA 25 C	25	28-52	250	2,2	4-1200722
BA 60 C	60	28-52	350	3/5**	4-1200451

Delivered without horizontal rail.

Compatible accessories : extended slides, double slide, automatic rest position (ARP), quick change clamp (see page 5 and 6)

\*\* With additional balancer - Code : 4-1200143 BA 40/100



### Rails

Model	Length (mm)	Stroke (mm)	Code
Guiding rail	600	420	4-1200294
Guiding rail	1000	820	4-1200295
Guiding rail	1500	1320	4-1200296
Guiding rail	2000	1820	4-1200297

### Inverse mounting kit

For	Code
BA 25 C	4-1200811
BA 60 C	4-1200812

### Downward assistance kit

For	Pushing force (kg)	Stroke (mm)	Type	Code
EP 25 P	9	160	Pneu.	4-1200452
EP 25 E	9	160	Elect.	4-1200454
EP 60 P	9	200	Pneu.	4-1200453
EP 60 E	9	200	Elect.	4-1200455

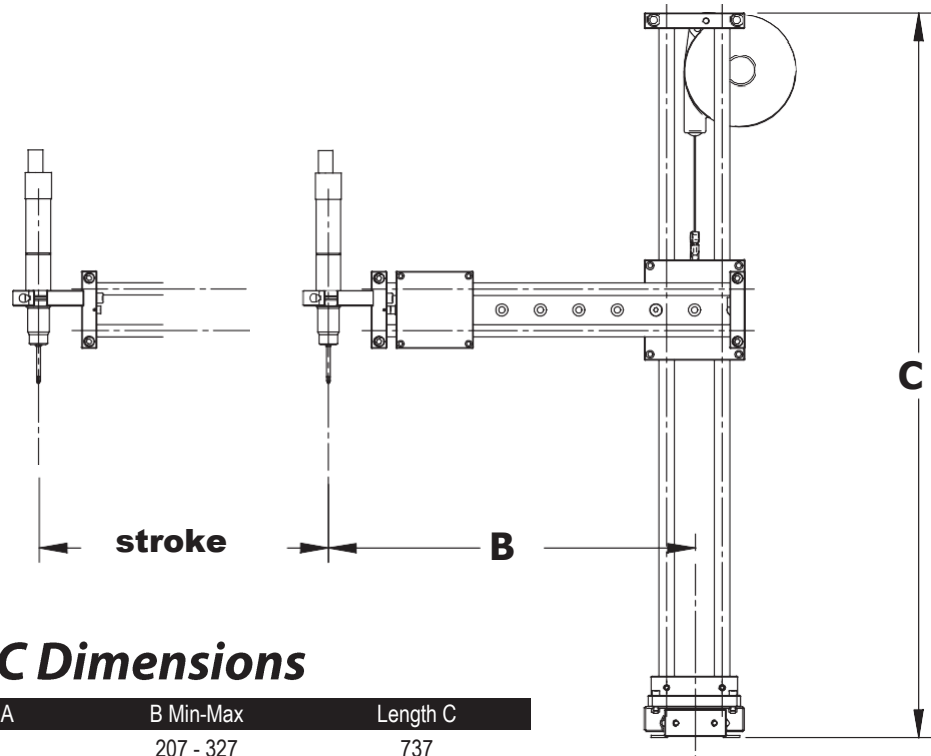
### Safety kit

For	Code
BA 25 C	4-1200390
BA 60 C	4-1200391



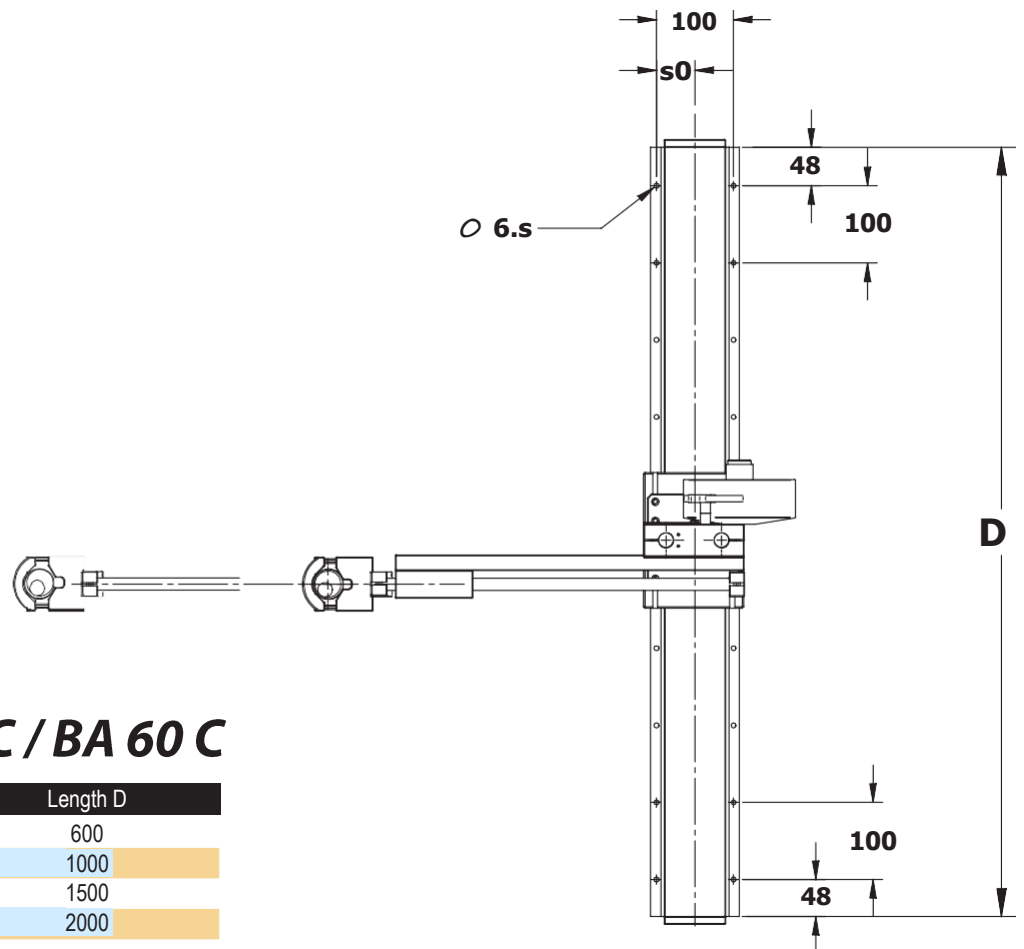
# Travelling arms

## BA...C Dimensions



### BA 25 C / BA 60 C Dimensions

Model	Stroke A	B Min-Max	Length C
BA 25 C	205	207 - 327	737
BA 60 C	330	276 - 476	940



### Rails for BA 25 C / BA 60 C

Stroke	Length D
420	600
820	1000
1320	1500
1820	2000